
Modular Exercise Equipment Energy Generation System (MEEEGS)

Purple Team B

Andrew Baines

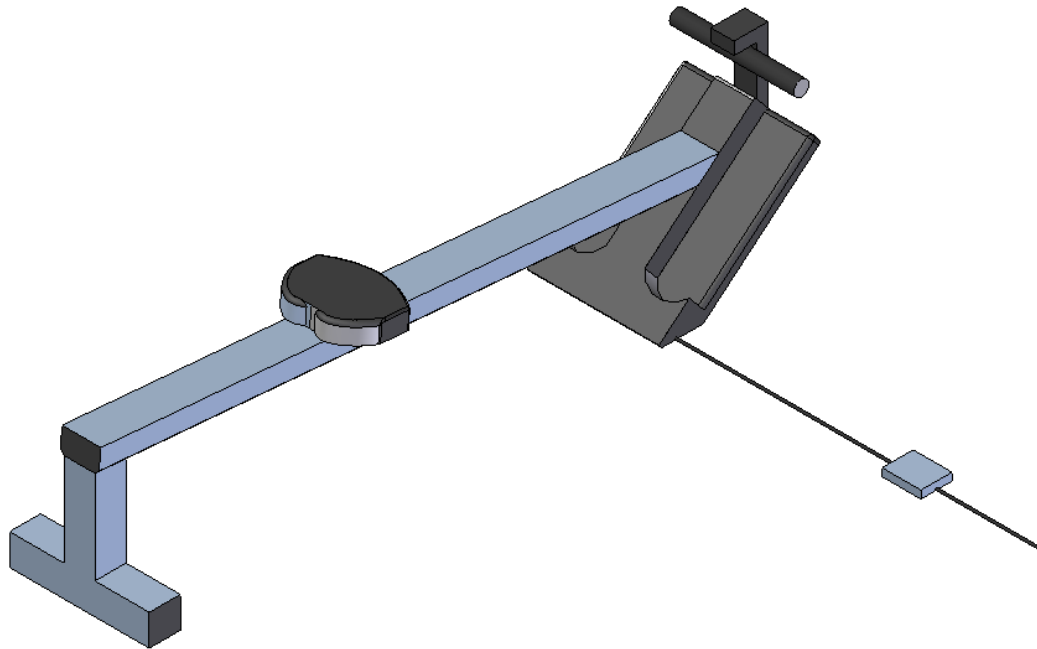
Ed Hsieh

Monica Rush

Ben Smith

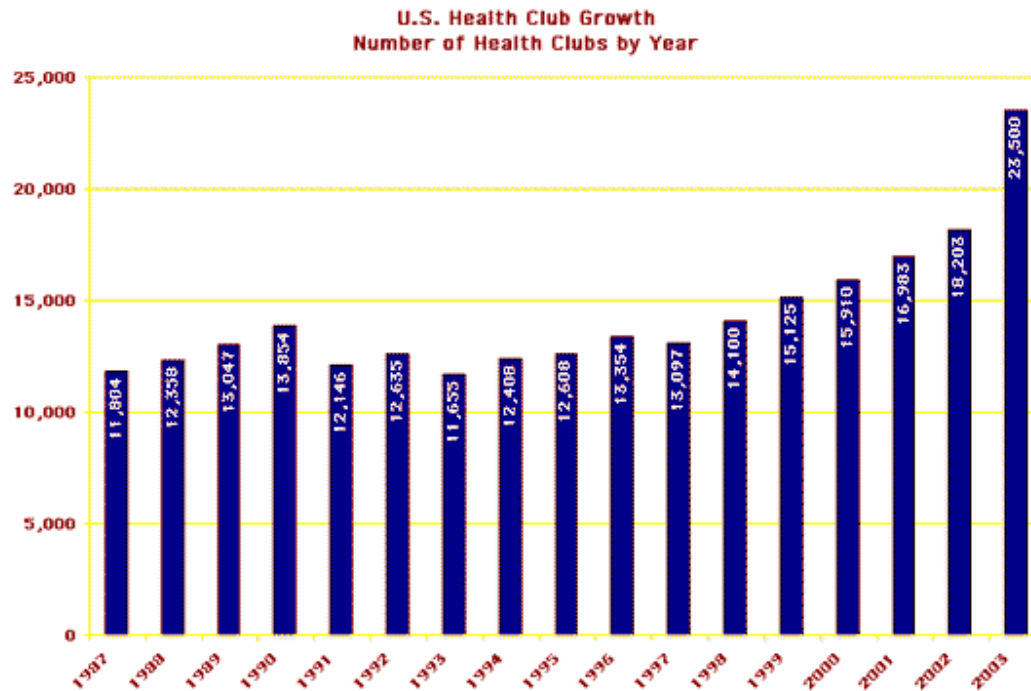
Product

- Modular Exercise Equipment Energy Generation System(MEEEGS) to be marketed to gyms



Market

- 23,500 Health Clubs in US(2004)¹
- \$14.1 billion industry (2004)¹
- Additional 41,549 Clubs worldwide (2002)¹



Technical Statistics

Ergometer

Men: 195 W¹


Women: 126 W¹

~150 W per machine x 20
machines x 6 hrs/day
= 18 kWh / day

Stationary Bike

Men: 207 W¹

Women: 135 W¹



\$591 – \$978
per year

1 Hagerman, Lawrence & Mansfield. *A Comparison of Energy Expenditure During Rowing and Cycling Ergometry* (1988)

Cost

Our machines will be comparable in cost to current machines on market.

\$300 for the Electrical System

- ❑ \$50 Charge Controller
- ❑ \$50 Inverter
- ❑ \$200 Battery

