

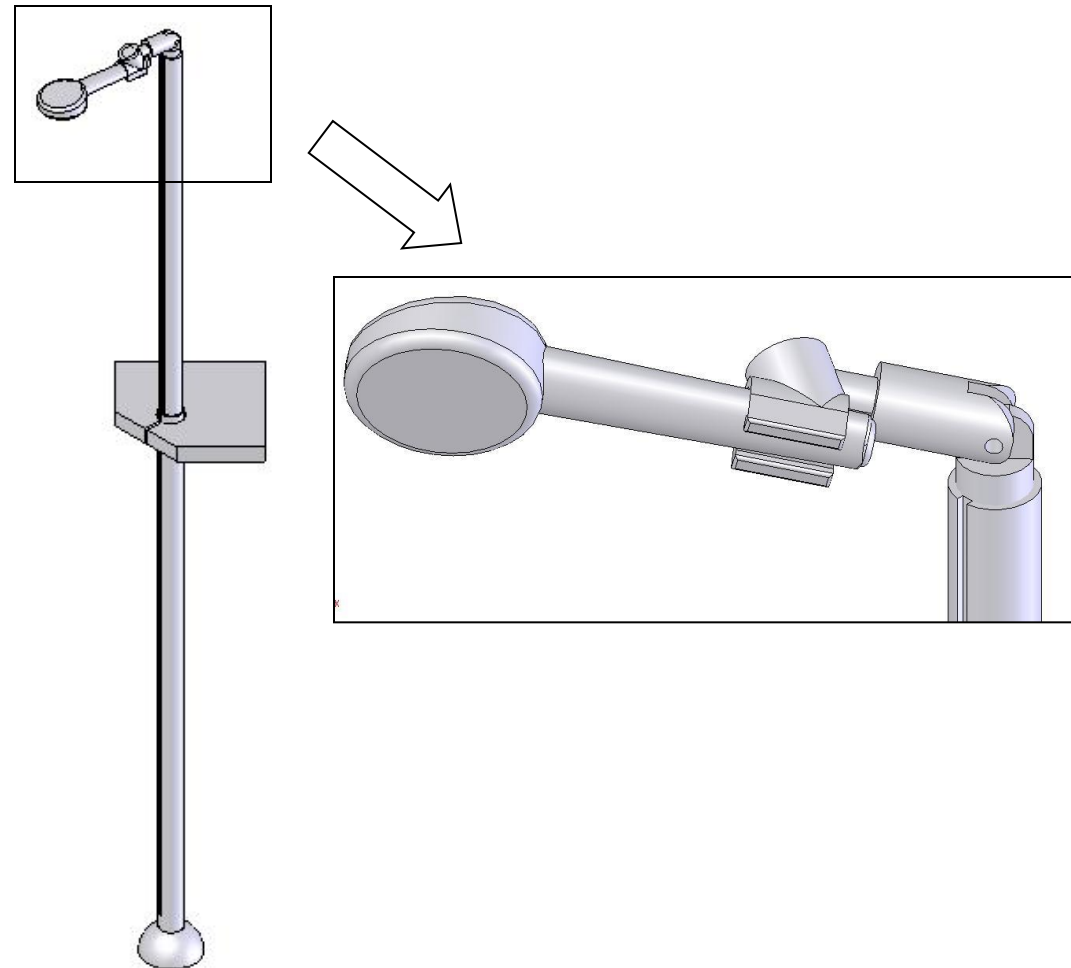


Mockup Review Orange A

Remote Shower Head

Objective

Create a device that will facilitate independent showering for those who take seated showers



Key Risks

- Address customer needs
- Mechanical Design
 - Developed control system
 - Desired range of motion
 - Safety and waterproofing

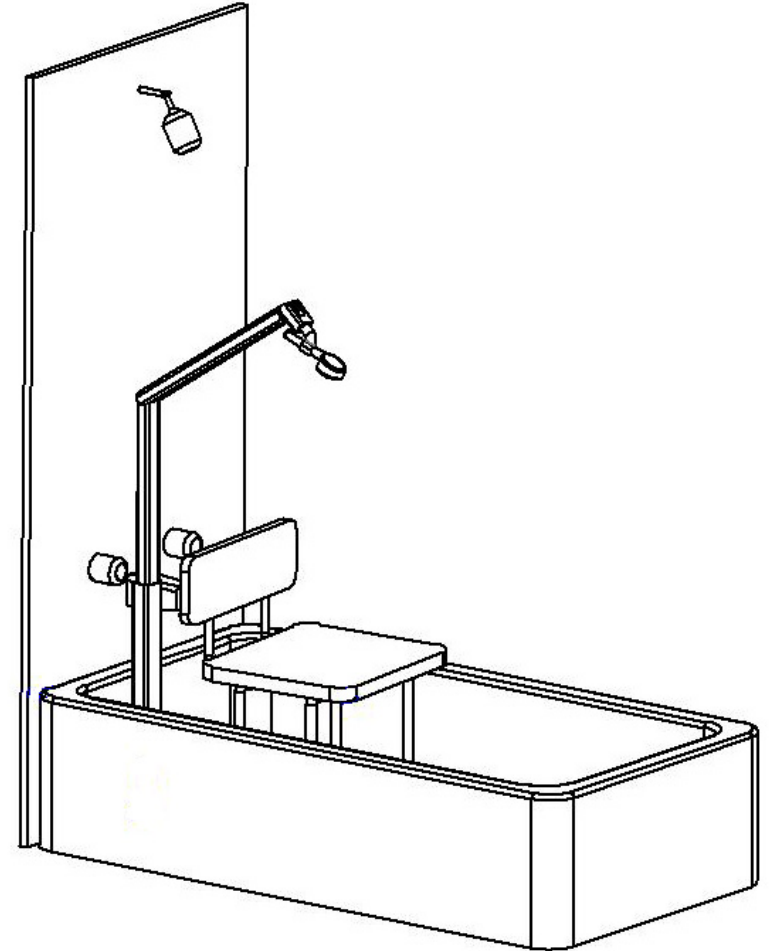


Customer Needs

- Reach all body parts
- Adjustable while showering
- Intuitive to use

Proposed Product Design

- Reach front, back, and legs
- Remote/assisted actuation
- Back-drivable
- Fit in shower or bath





Risk Assessment

- Complete
 - Range of motion in shower head
 - Height-adjustable
- Incomplete
 - Manual height adjustment
 - Improved range of motion
 - Waterproofing



Mechanical Mockup Results

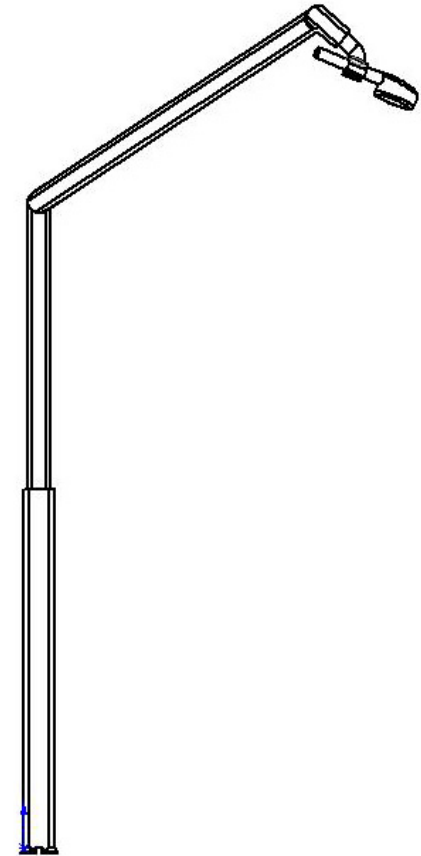
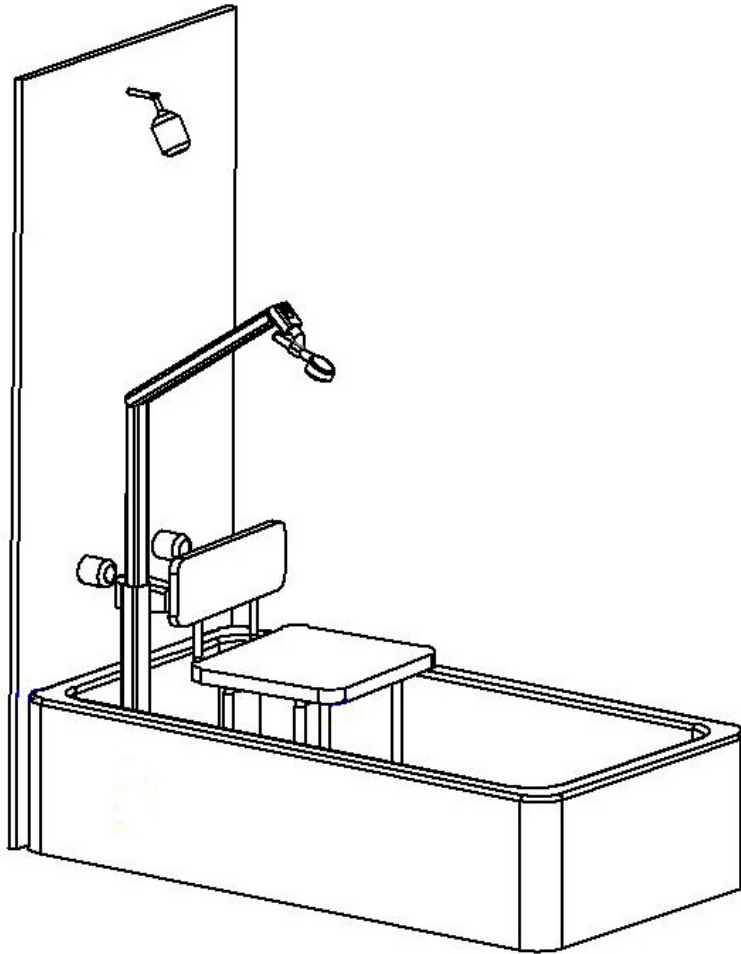
- Desired motions are possible
- Sizing is appropriate
- Actuation was not as smooth as desired
- Learned that speed needs to be carefully specified



Contacts

- Murray and Phyllis Kusmin
- Jose Luis Naranjo

Visual Concept



Design Approach

