



b helmet rental hub



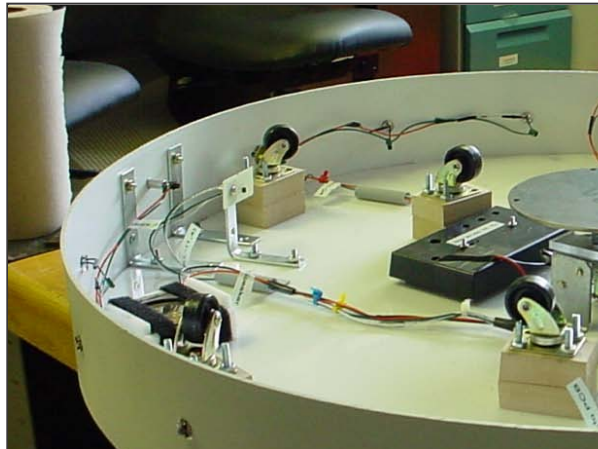
vision | convenient and safe helmet rental

movement

compact

capacity

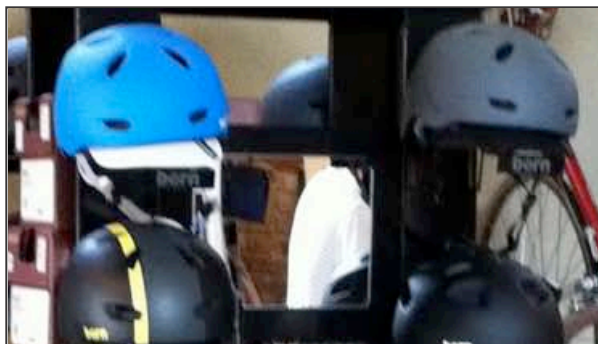
low-power



quick interface



Less than 16 sq. ft



store enough for
a few days' cycle



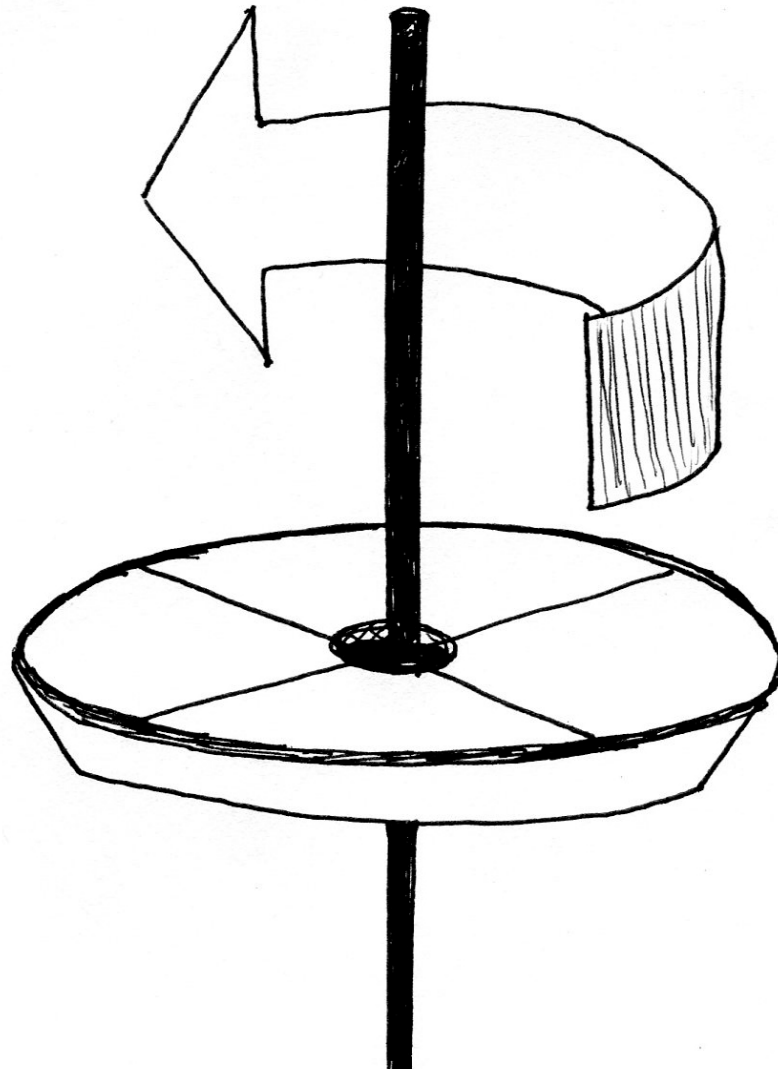
power usage
matches capacity

key risk:
vending capabilities

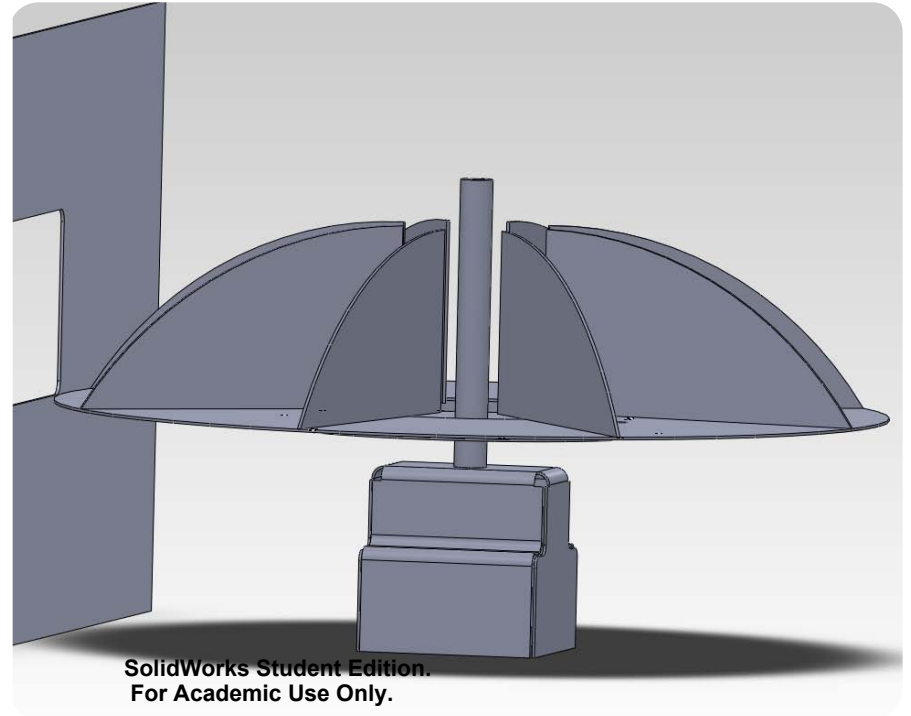
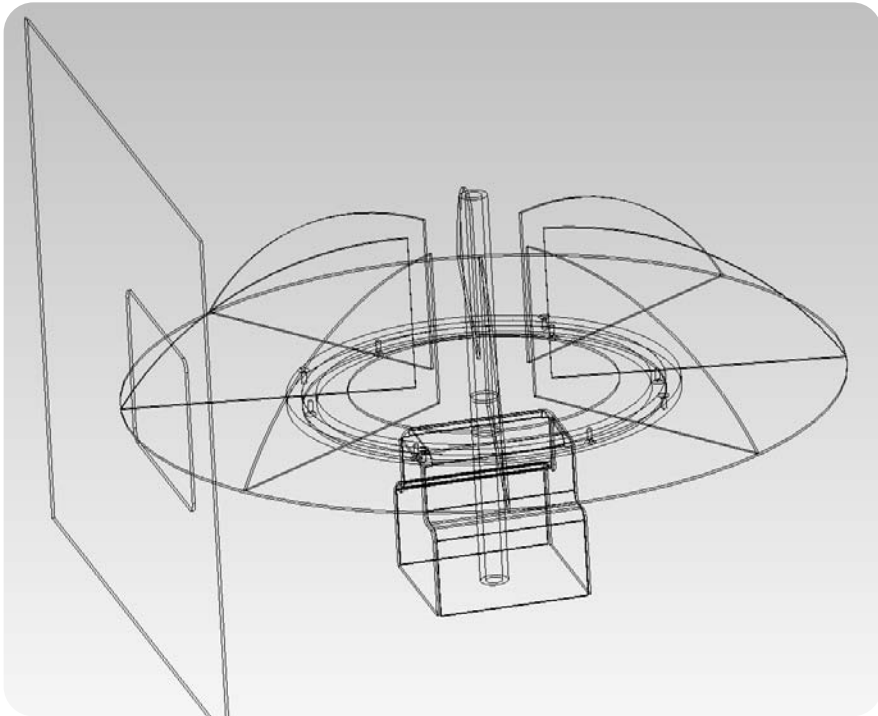
existing product



Basic Mechanism



Model



Lessons Learned

- Vending is definitely possible
 - Using RFID is a very viable option
 - Fitting 8 helmets per ring is viable even with our limited square footage
-