

# Smooth Operator

*ABS Parts: Cleaner, Sleeker, Sexier*

---

“

Anything which produced a smoother finish would be good in my view, but the biggest issue with acetone must be the smell.

”

- Tim Grollman, 3D Printer Hobbyist



Need



Idea



Market

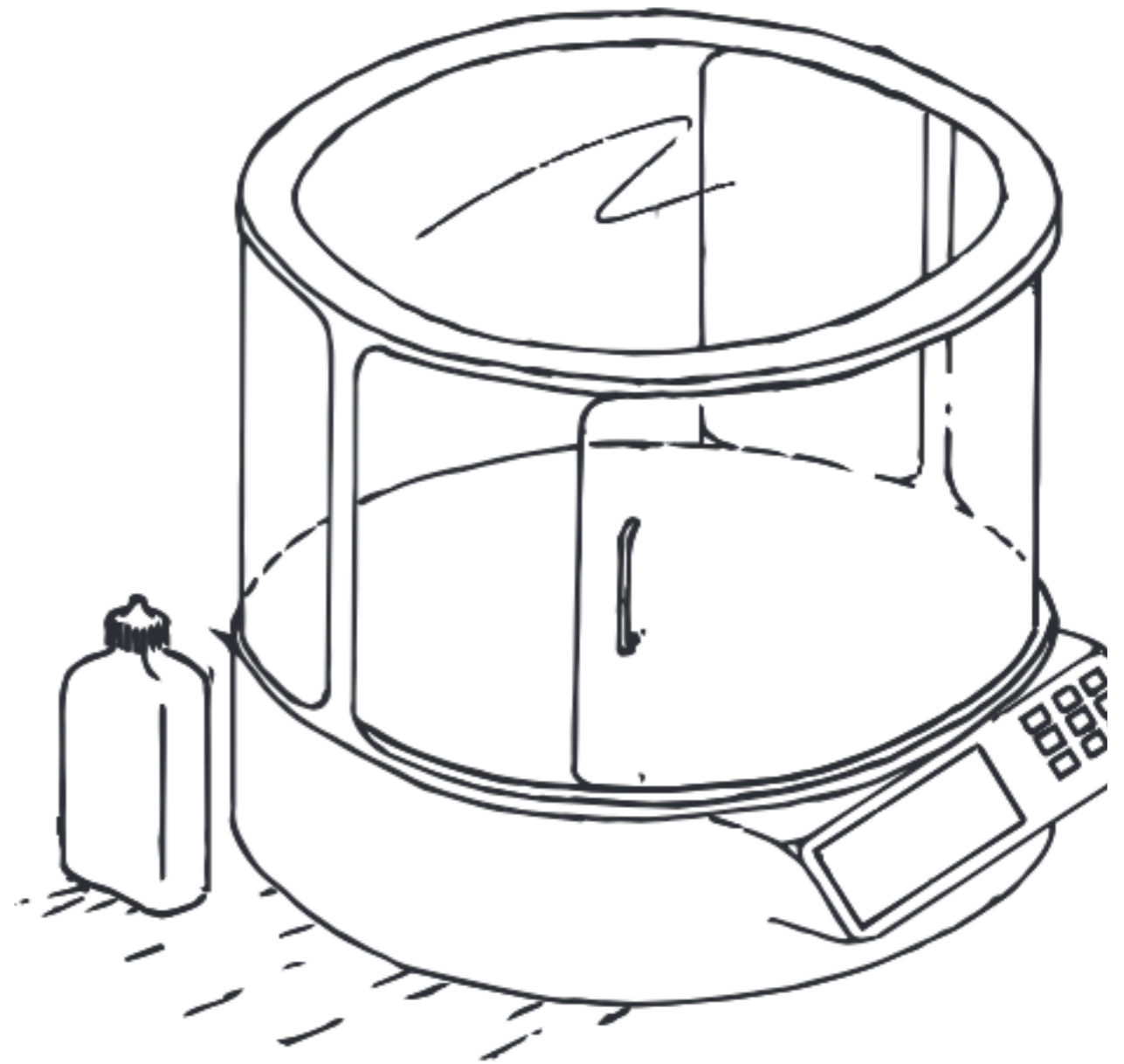


Future

A

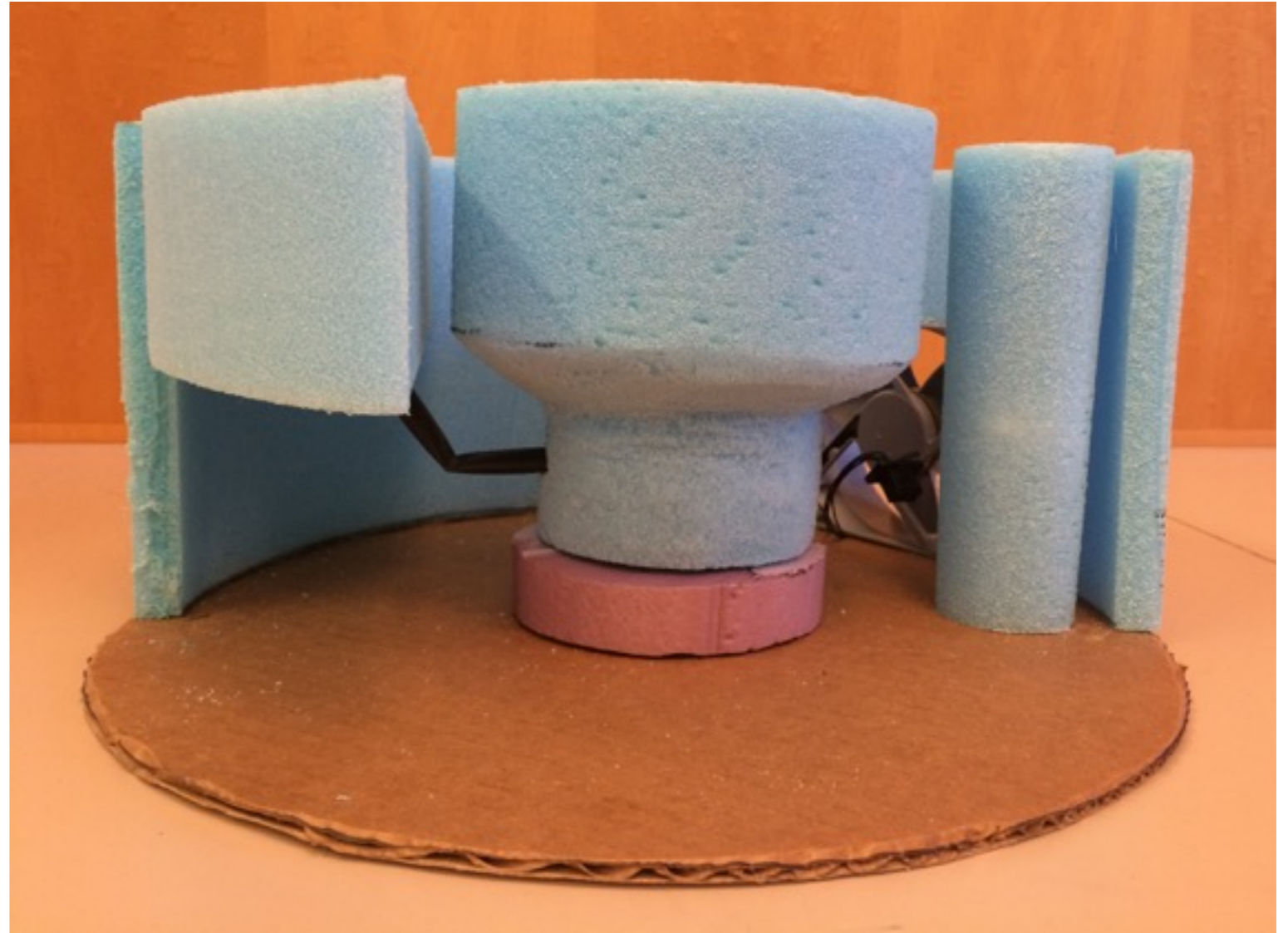
# Key Features

- **Safety:**
  - Active Carbon Filter
- **Reliability**
  - Process Monitoring
  - Acetone resistant parts

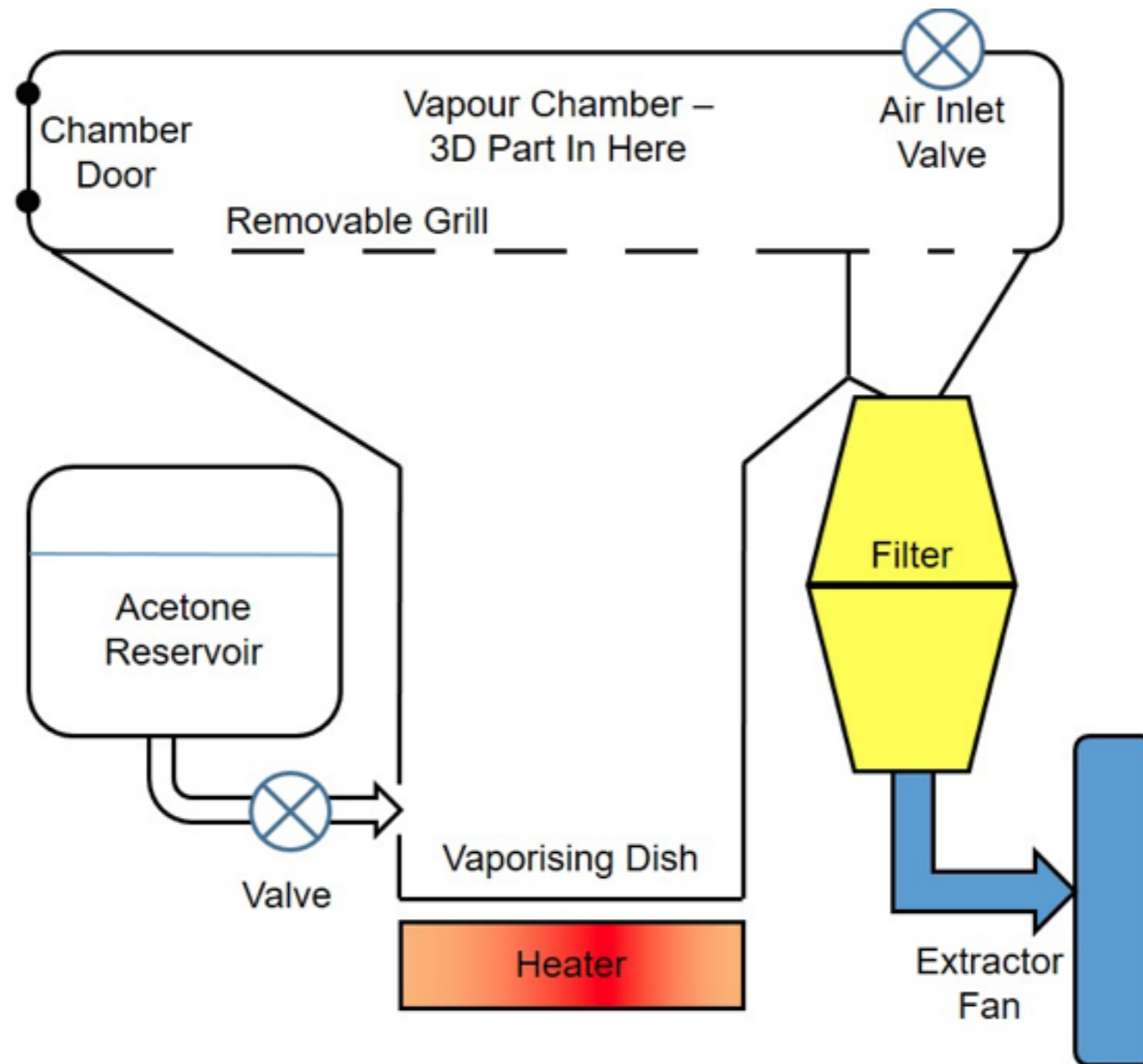


# Model Questions

- Ideal internal part layout for finishing process
- Hot versus cold acetone vapor



# Process Model



Need

Idea

Market

Future

A

Barcelona 3D  
Technologies  
Device

Smooth  
Operator

Magic Box

Fume  
Management

Time

Repeatability

Cost



Need



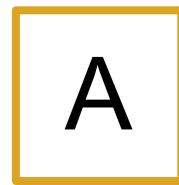
Idea



**Market**



Future



# Next Steps

- Testing
  - Active carbon filter
  - Minimal acetone use per finish cycle

